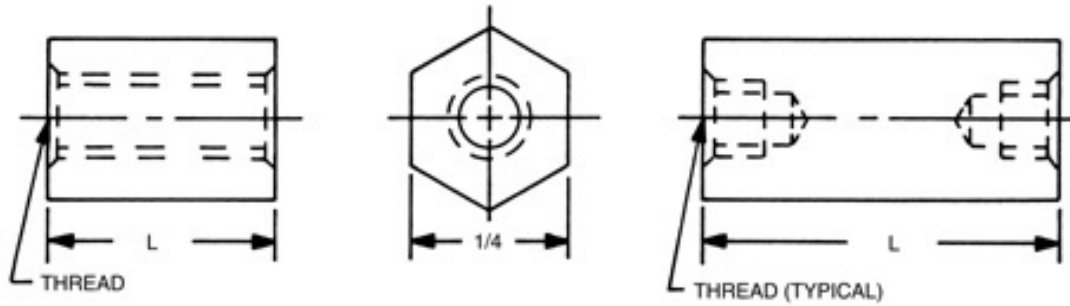


1/4 HEX FEMALE STANDOFFS



RAF

RAF

Order Code:



Contents

Finishes:

Quote
[\[How to create part numbers\]](#)
[\[Material Specifications\]](#)

SELECT	PART NO.	LENGTH
<input type="checkbox"/>	2098A	3/32
<input type="checkbox"/>	2098	1/8
<input type="checkbox"/>	2098T	5/32
<input type="checkbox"/>	2099	3/16
<input type="checkbox"/>	2099T	7/32
<input type="checkbox"/>	2100	1/4
<input type="checkbox"/>	2100T	9/32
<input type="checkbox"/>	2101	5/16
<input type="checkbox"/>	2101T	11/32
<input type="checkbox"/>	2102	3/8
<input type="checkbox"/>	2102T	13/32
<input type="checkbox"/>	2103	7/16
<input type="checkbox"/>	2103T	15/32
<input type="checkbox"/>	2104	1/2
<input type="checkbox"/>	2104T	17/32
<input type="checkbox"/>	2105	9/16
<input type="checkbox"/>	2105T	19/32
<input type="checkbox"/>	2106	5/8
<input type="checkbox"/>	2106T	21/32
<input type="checkbox"/>	2107	11/16
<input type="checkbox"/>	2107T	23/32
<input type="checkbox"/>	2108	3/4
<input type="checkbox"/>	2108T	25/32
<input type="checkbox"/>	2109	13/16
<input type="checkbox"/>	2109T	27/32

SELECT	PART NO.	LENGTH
<input type="checkbox"/>	2111	15/16
<input type="checkbox"/>	2111T	31/32
<input type="checkbox"/>	2112	1"
<input type="checkbox"/>	2113	1-1/16
<input type="checkbox"/>	2114	1-1/8
<input type="checkbox"/>	2115	1-3/16
<input type="checkbox"/>	2116	1-1/4
<input type="checkbox"/>	2117	1-5/16
<input type="checkbox"/>	2118	1-3/8
<input type="checkbox"/>	2119	1-7/16
<input type="checkbox"/>	2120	1-1/2
<input type="checkbox"/>	2121	1-9/16
<input type="checkbox"/>	2122	1-5/8
<input type="checkbox"/>	2123	1-11/16
<input type="checkbox"/>	2124	1-3/4
<input type="checkbox"/>	2125	1-13/16
<input type="checkbox"/>	2126	1-7/8
<input type="checkbox"/>	2127	1-15/16
<input type="checkbox"/>	2128	2
<input type="checkbox"/>	2129	2-1/8
<input type="checkbox"/>	2130	2-1/4
<input type="checkbox"/>	2131	2-3/8
<input type="checkbox"/>	2132	2-1/2
<input type="checkbox"/>	2133	2-5/8
<input type="checkbox"/>	2134	2-3/4

SELECT	PART NO.	LENGTH
<input type="checkbox"/>	2137	3-1/4
<input type="checkbox"/>	2138	3-1/2
<input type="checkbox"/>	2139	3-3/4
<input type="checkbox"/>	2140	4"
<input type="checkbox"/>	2141	4-1/4
<input type="checkbox"/>	2142	4-1/2
<input type="checkbox"/>	2143	4-3/4
<input type="checkbox"/>	2144	5"
<input type="checkbox"/>	2145	5-1/4
<input type="checkbox"/>	2146	5-1/2
<input type="checkbox"/>	2146	5-1/2
<input type="checkbox"/>	2147	5-3/4
<input type="checkbox"/>	2147	5-3/4
<input type="checkbox"/>	2148	6
<input type="checkbox"/>	2149	6-1/4
<input type="checkbox"/>	2150	6-1/2
<input type="checkbox"/>	2151	6-3/4
<input type="checkbox"/>	2152	7
<input type="checkbox"/>	2153	7-1/4
<input type="checkbox"/>	2154	7-1/2
<input type="checkbox"/>	2155	7-3/4
<input type="checkbox"/>	2156	8
<input type="checkbox"/>	2157	8-1/4
<input type="checkbox"/>	2158	8-1/2
<input type="checkbox"/>	2159	8-3/4

Select	CODE	THREAD
<input type="checkbox"/>	440	4-40
<input type="checkbox"/>	632	6-32
<input type="checkbox"/>	832	8-32
<input type="checkbox"/>	1032	10-32

For thread depth information please click [here](#)

Select	CODE	MATERIAL	RoHS
<input type="checkbox"/>	A	ALUMINUM	NO
<input type="checkbox"/>	B	BRASS	YES
<input type="checkbox"/>	SS	STAINLESS STEEL	YES
<input type="checkbox"/>	S	STEEL	YES
<input type="checkbox"/>	N	NYLON	YES

Ordering Code			
xxxx	xxx	x	x
Thread		Finish	
Length		Material	

For non standard items please click [here](#)

	2110	7/8
	2110T	29/32

	2135	2-7/8
	2136	3

	2160	9
	2161	9-1/4
	2162	9-1/2
	2163	9-3/4
	2164	10



© 1999 RAF Electronic Hardware All Rights Reserved

Seymour CT 06483 203 888-2133 Fax: 203 888-9860 www.rafhdwe.com